

Product Change Notification

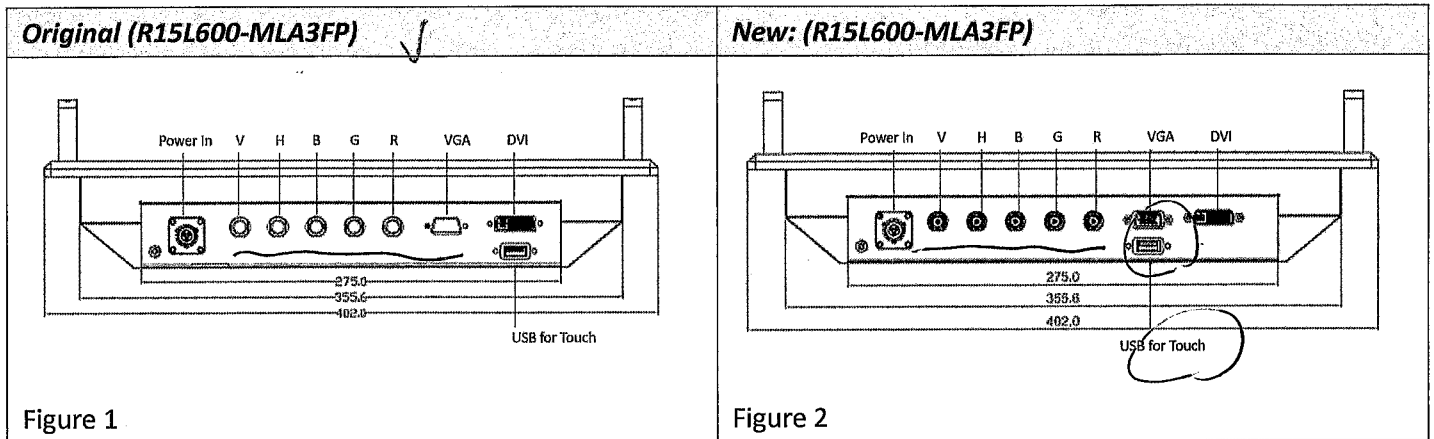
Document No. **PCN-A-20260223** Revision **1.0**

PCN TOPIC: AD Board Migration: Integration of Native I/O Support

PCN Type: Product Spec changes

Change Detail Descriptions: Architecture optimized while retaining original functions; I/O positions slightly adjusted, refer to figure 1 and 2 for an example alignment details.

Change and Impact: Critical Change: Key component change



Impacts:

BIOS change: Yes **Device Driver changes: No** **Software: OS image changes: No**
Board changes: Yes **Mechanical changes: Yes**

Impacted Product List:

| Product line | Model Name |
|---|----------------|
| Rack Mount Protective Glass Defense Display | R17L100-RKA1ML |
| | R19L100-RKA3ML |
| | W24L100-RKS1ML |
| PCAP Rack Mount Defense Display | R15L600-MLA3FP |
| | R17L100-MLA1FP |
| | R19L100-MLA3FP |
| | R21L100-MLM1FP |
| | W22L100-MLA3FP |
| | W24L100-MLA2FP |

Change Effective Date: From Feb. 25th 2026

Implementation type: Immediately

PCN Release Date: Feb. 25th 2026

ISSUED BY: Victoria (Initial PM)

APPROVED BY: [Signature] (PM Lead)

APPROVED BY: [Signature] (Marketing Lead)

APPROVED BY: [Signature] (CS Lead)

APPROVED BY: [Signature] (Sales Lead)

If you have any further questions or clarification needed for this PCN, please feel free to contact Winmate Reseller or your contact windows of Winmate Sales Representatives. Or you can feedback to Sales@winmate.com.tw email.