

# Product Change Notification

Document No. **PCN-A-20230607** Revision **1.0**

**PCN TOPIC:** M Series bracket enhancement.

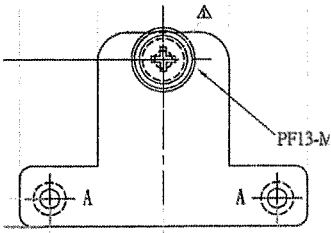
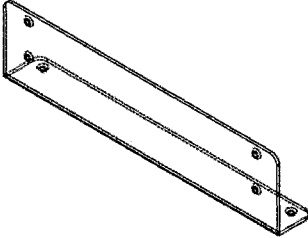
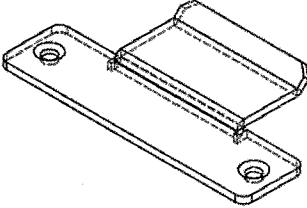
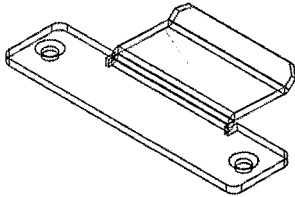
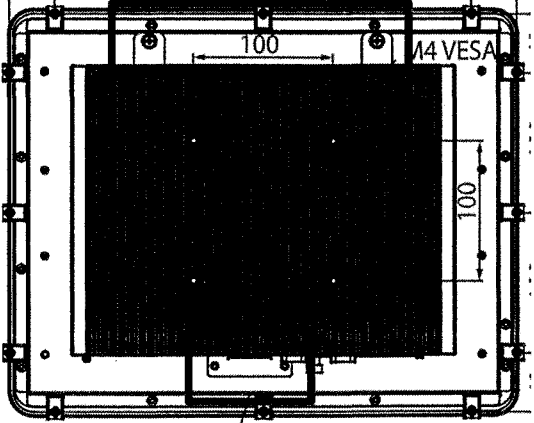
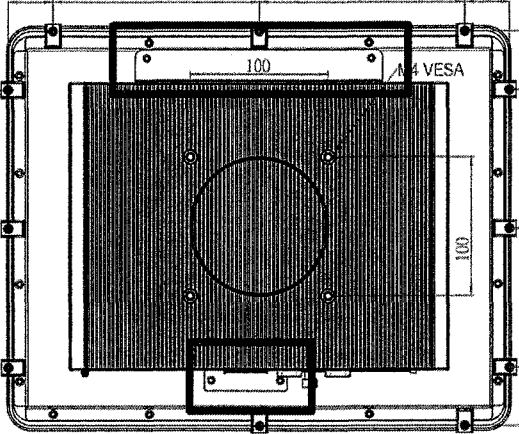
**PCN Type:** Product Improvement

**Change Detail Descriptions:**

1. Change the docking hand screws with L-shape bracket
2. Lower side box holder with additional pressure

**Change and Impact:**

**General Change:**

Bracket	Old	New
L-shape bracket	 <p>(2pcs)</p>	
Lower side box holder		
<b>Old</b>		<b>New</b>
		

**Impacts:**

BIOS change: No                      Device Driver changes: No                      Software: OS image changes: No  
 Board changes: No                      Mechanical changes: Yes

**Impacted Product List:**

Product line	Model Name
M Seires	RxxlxWS-MHxx
	WxxlxWS-MHxx
	RxxlxWS-MHxx-xx
	WxxlxWS-MHxx-xx

**Change Effective Date:** From Jun 7<sup>th</sup> 2023

**Implementation type:** Running changes

**PCN Release Date:** Jun. 7<sup>th</sup> 2023

**ISSUED BY:** *Santelisa* (Initial PM)

**APPROVED BY:** *[Signature]* (PM Lead)

**APPROVED BY:** *[Signature]* (Marketing Lead)

**APPROVED BY:** *[Signature]* (CS Lead)

**APPROVED BY:** *[Signature]* (Sales Lead)

**PCN Release Date:** Jun 7<sup>th</sup> 2023

If you have any further questions or clarification needed for this PCN, please feel free to contact Winmate Reseller or your contact windows of Winmate Sales Representatives. Or you can feedback to [Sales@winmate.com.tw](mailto:Sales@winmate.com.tw) email.