

Vehicle Dock for M133WK

VD-M133WK

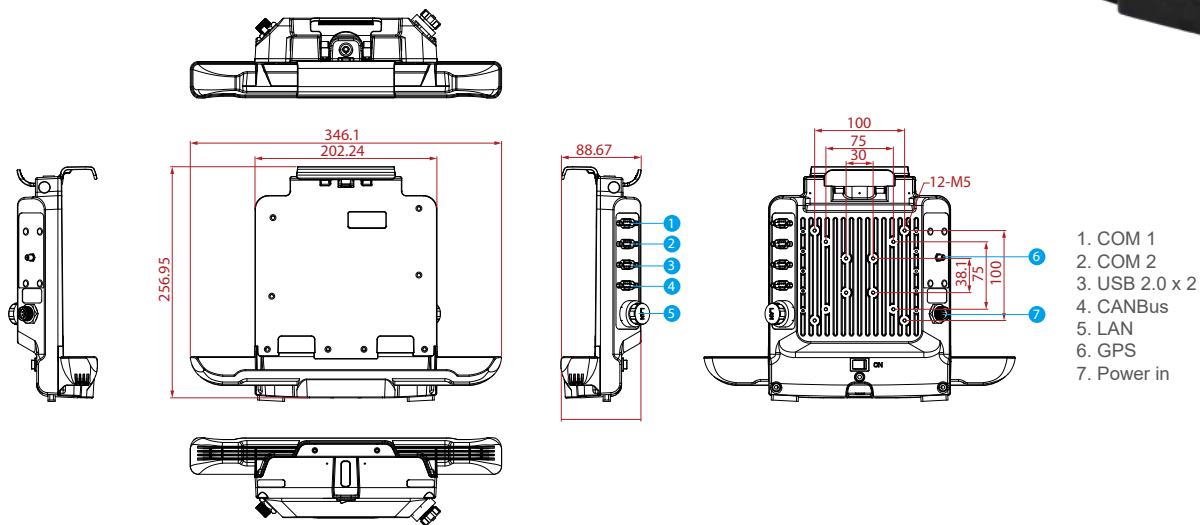
Part Number : 98DT00A00025

Product Features:

- Hold the tablet stably on moving vehicle
- Anti-theft design with key lockable cradle
- Wide power voltage input (10-60V DC-in)
- VESA standard for various standard fixtures
- SMA connector for external GPS antenna
- Igniton support



Mechanical Drawing



Docking :



Undocking :



Specification

Dimension	345.1 x 256.95 x 88.67 mm
Power Input	10-60V DC-in
I/O Support	1 x COM 1 (D-Sub 9) 1 x COM 2 (D-Sub 9) 2 x USB 2.0 (D-Sub 9) 1 x CANBus (D-Sub 9) 1 x LAN (RJ-45) 1 x GPS (SMA)
Mounting	75 x 75, 100 x 100 mm
Vibration	MIL-STD-810G Method 514.6 Procedure I
Shock	MIL-STD-810G Method 516.6 Procedure I