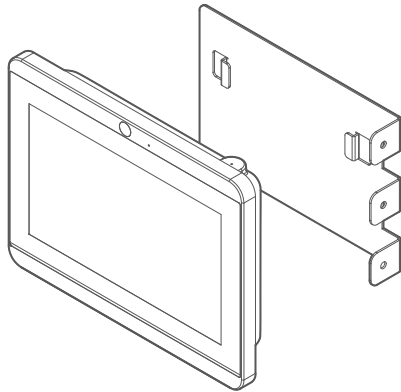


Glass Wall Mount Kit (For 7" S-Series HMI)



Right Side

Model Name: PCGM-V1R

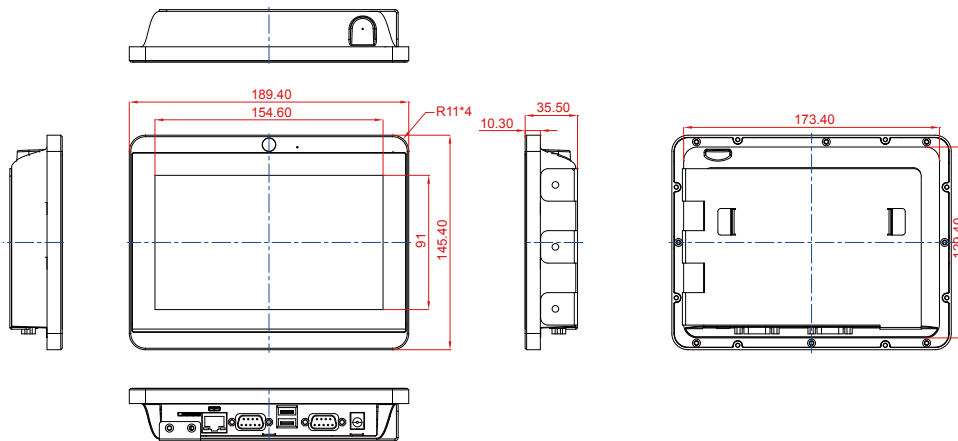
Part Number: 99KN00A00013

Left Side

Model Name: PCGM-V1L

Part Number: 99KN00A00012

Mechanical Drawing:



How to use Glass Wall Mount Kit:

