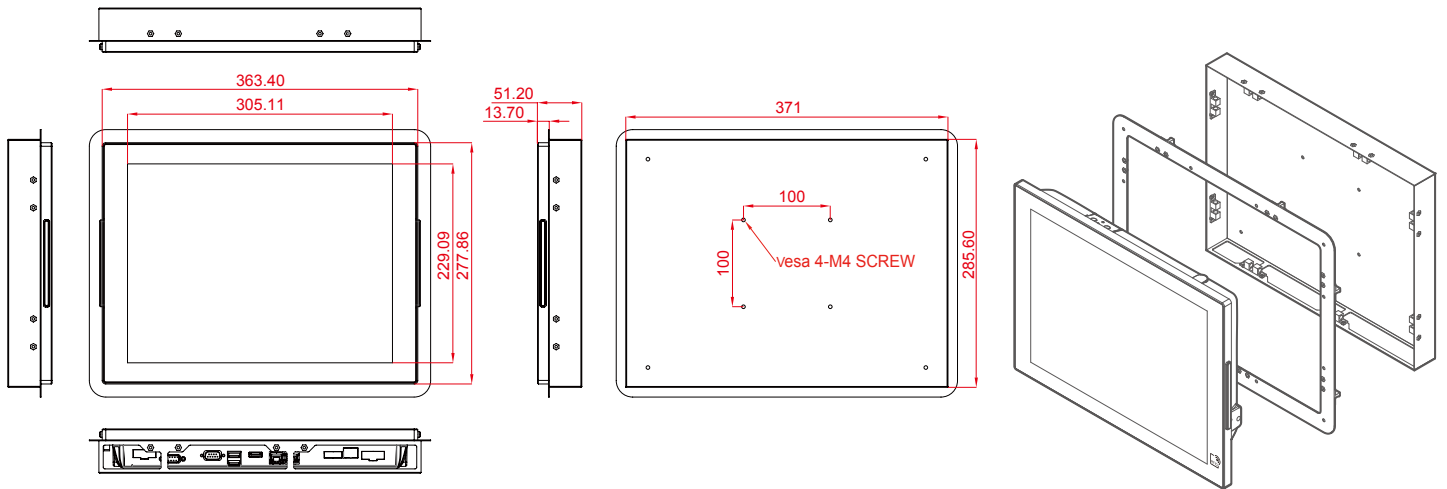


# Front Side Wall Mount Kit (For 15" S-Series HMI)



## Mechanical Drawing:

Model Name:PCFW-V2  
Part Number:99K000A00006



## How to use Front Side Wall Mount Kit ?

