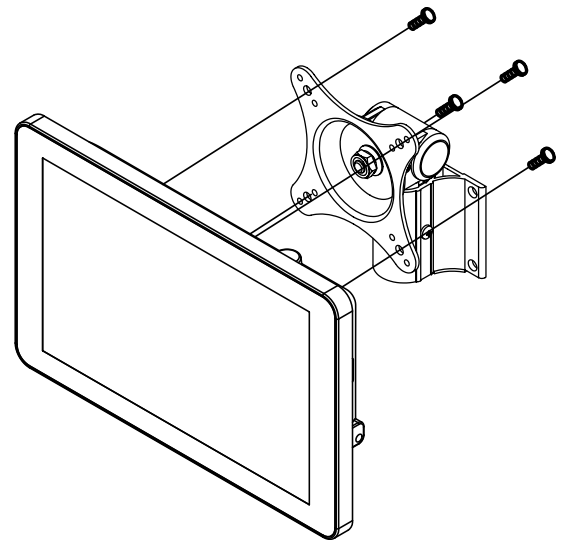


VESA Wall Mount Bracket (for 7", 10.1" and 15" S-Series HMI)

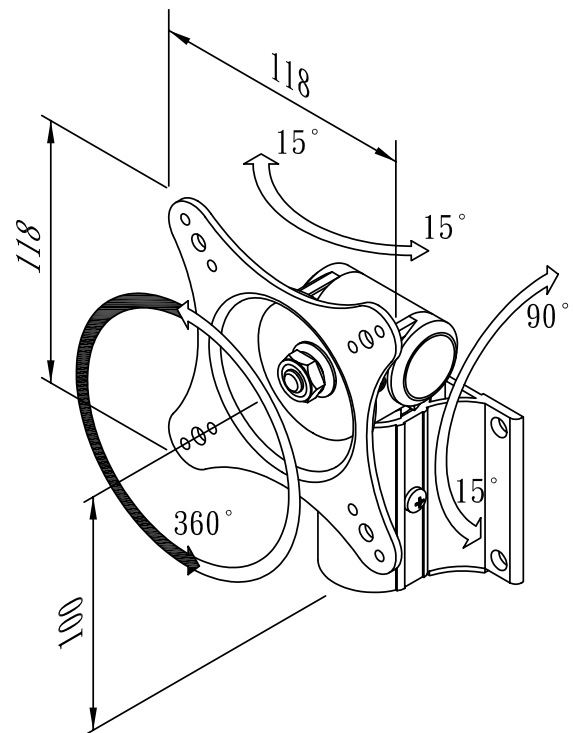
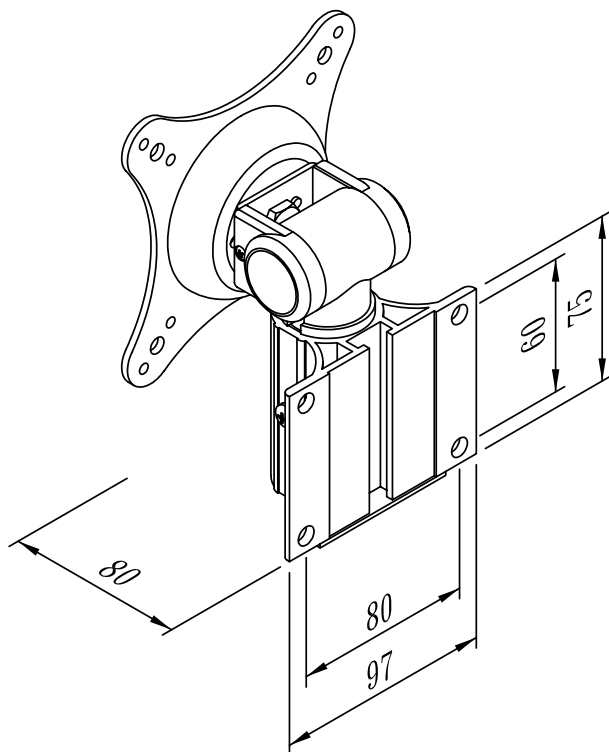
Model Name: LA-106
Part Number: 9B0000000412

Features:

- Spinning around high and mighty; able to bear 5 kg to 12kg
- Providing 2 mounting space in coordination with VESA standard: 75mm x 75mm and 100mm x 100mm
- The angle of view was designed adjustable for clear vision
- Flexible angle
- Regulate as you want to make more space

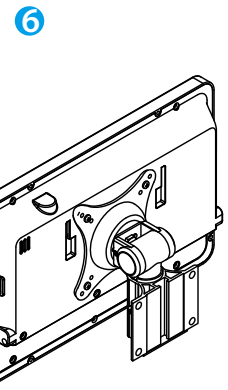
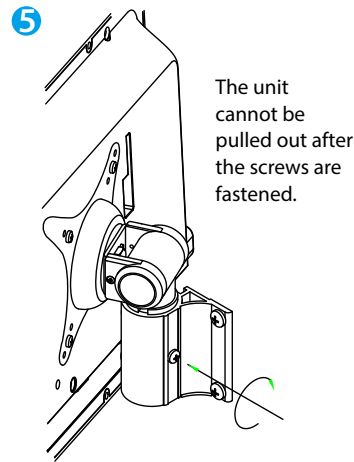
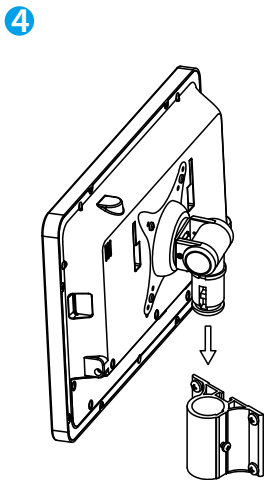
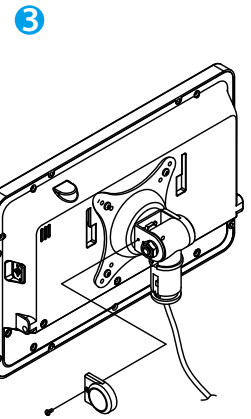
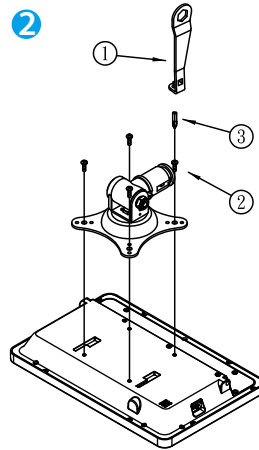
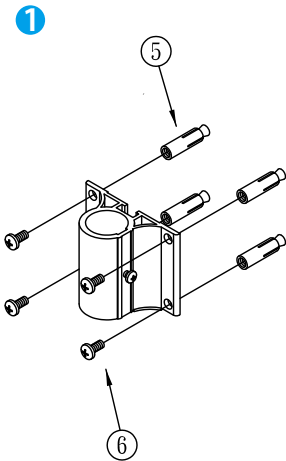


Mechanical Drawing:



VESA Wall Mount Bracket (for 7", 10.1" and 15" S-Series HMI)

Mounting Guide:



Notice:

The adjustment of the screw has been made before out of the factory.
Loosening the screw will cause the stand bent downwards.
Please note if the unit will be hit.

