

W10L100-POH2-C

10.1" USB Type-C開放式架構顯示器



KEY FEATURES

- 10.1", 1280 x 800
- USB Type-C連接器
- 開放式架構
- VESA支架
- 投射電容觸控

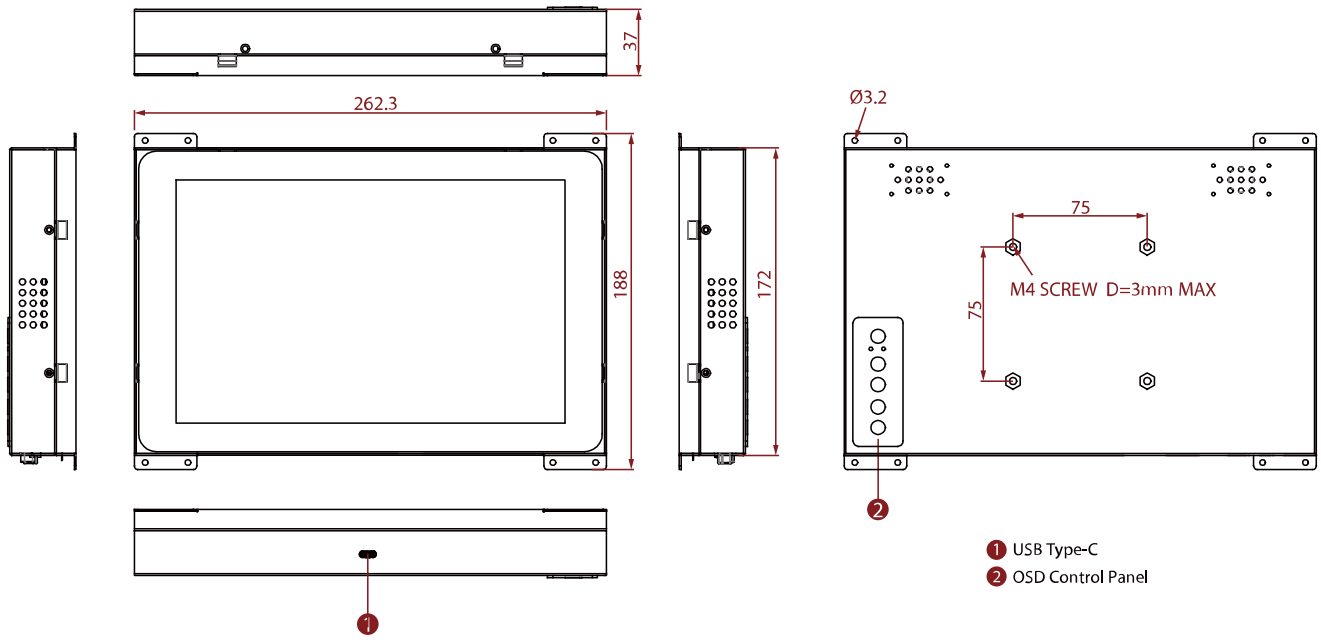


SPECIFICATIONS

顯示器			
解析度	1280x800	尺寸	10.1 inches
對比度	800:1	面版亮度	350 nits
色階	16.7M Colors	可視角	85,85,85,85
類型	Projected Capacitive Multi Touch Screen Anti-glare Coating (Optional)		
環境			
工作濕度	10% to 90% (non-condensing)	工作溫度	0~50°C
儲存溫度	-10~60°C		
認證			
認證	CE, FCC		
訊號埠			
USB埠	1 x USB Type-C Connector	音訊	2 x Speaker (Optional)
機構			
外觀尺寸	262.3 x 188 x 37 mm	安裝	VESA Mount/ Panel Mount
外殼	Metal	冷卻系統	Fanless Design
配件			
配件	User Manual	配件選配	Standard USB-C Cable (Optional) Lockable USB-C to Standard USB-C Cable (Optional) Waterproof USB-C to Standard USB-C Cable (Optional)
電源			
電源規格	USB Type-C Alt mode (5V/3A)		
控制			
按鈕	5 Keys: -, +, Power, Esc, Enter		

DIMENSIONS UNIT:MM

Winmate W10L100-POH2-C



NOTE

1. This is a simplified drawing and some components are not marked in detail.
2. The product shown in this datasheet is a standard model. For diagrams that contain customized or optional I/O, please contact the Winmate Sales Team for more information.
3. All specifications are subject to change without prior notice.