

R12L600-MRM2

12.1" 船舶等級顯示器



KEY FEATURES

- 12.1" 1024 x 768 解析度
- 電阻式觸控螢幕(可選保護玻璃, 無觸控功能)
- IP66鋁合金外殼, 帶粉末塗層設計(背面IP54)
- 9至36 V DC電源, 帶接線端子(默認)
- 畫中畫(PIP)功能和多視頻輸入
- 易於使用的前面板OSD控制
- 認證DNVGL-CG-0339, IEC60945 第4版, IACS E10
- 調光旋鈕可將背光亮度從近0%調整為100%



SPECIFICATIONS

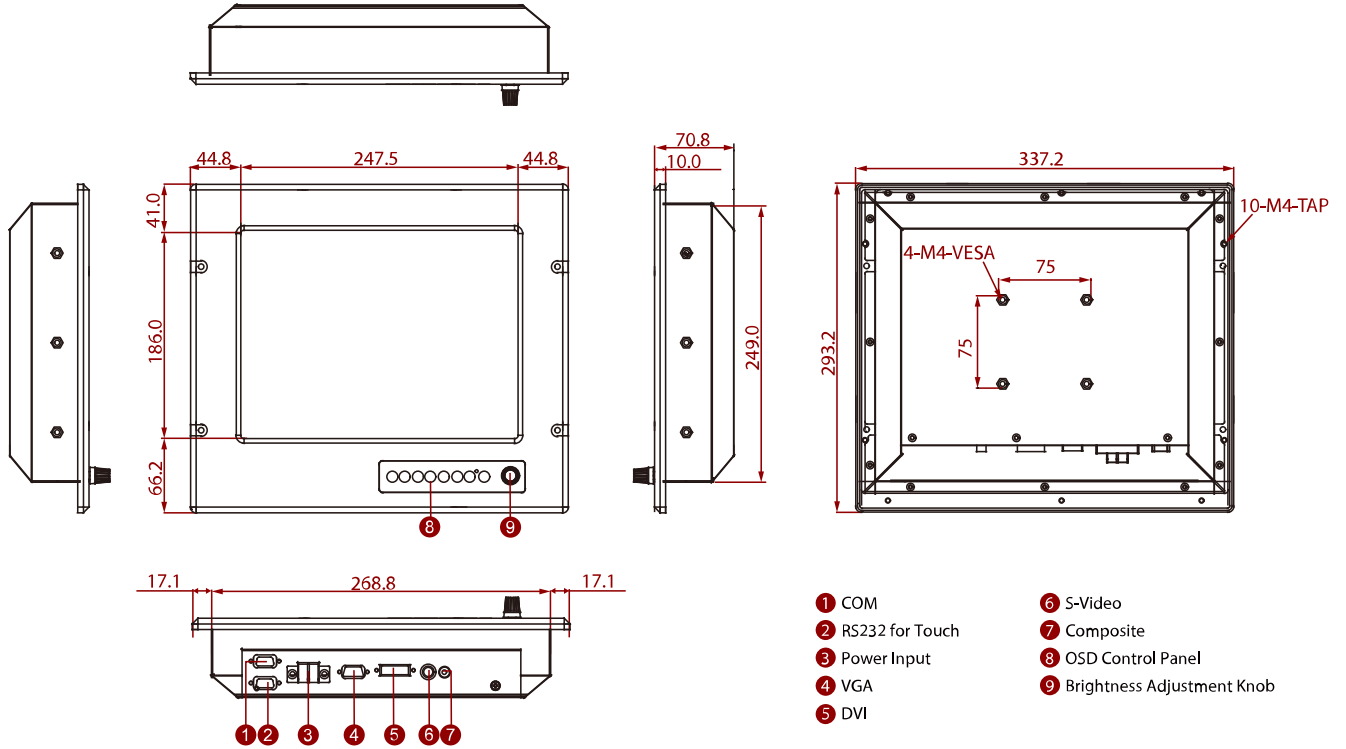
顯示器			
解析度	1024x768	尺寸	12.1 inches
對比度	700:1	面版亮度	500 nits
色階	16.2M Colors	可視角	89,89,89,89
類型	Resistive Touch Screen AR Glass (Optional)		
環境			
工作濕度	5% to 95%	工作溫度	-15~55°C
衝擊	15G,11ms duration	振動	0.7g@DNVGL CG-0339 (Class A)
IP防水等級	IP66 (Front Side)		
認證			
認證	DNVGL-CG-0339, IEC60945 4th, IACS E10, CE, FCC		
訊號埠			
序列埠	1 x RS232 for Remote Control 1 x RS232/USB for Touch Screen	影像	1 x VGA 1 x DVI-D 1 x Composite 1 x S-Video
機構			
外觀尺寸	337 x 293.2 x 70.8 mm	安裝	VESA Mount/ Panel Mount
外殼	Metal Housing with Aluminum Bezel	冷卻系統	Fanless Design
電源			
電源規格	24V DC-in with Isolation (Approval by Certificate) 9~36V DC Input Accpetable		
配件			
配件	1 x User Manual. 1 x CD for Touchscreen Driver Tools. 1 x DVI Cable. 1 x VGA Cable. 1 x RS232 Serial Cable. 1 x S-Video Cable. 1 x Composite Cable.		
控制			

按鈕

8 key:
Esc/PIP
Auto adjustment
Left
Right/Source
OK/Menu
Up
Down
Power
1 x The Dimming Knob

DIMENSIONS UNIT:MM

Winmate R12L600-MRM2



NOTE

1. This is a simplified drawing and some components are not marked in detail.
2. Please contact our sales representative if you need further product information.
3. All specifications are subject to change without prior notice.
4. The product shown in this datasheet is a standard model. For diagrams that contain customized or optional I/O, please contact the Winmate Sales Team for more information.